

AIS Class B & GPS Chart Plotter

Model: XF-607B , XF-1069B

Support XINUO-MAP & C-MAP (MAX) Card



XF-607B

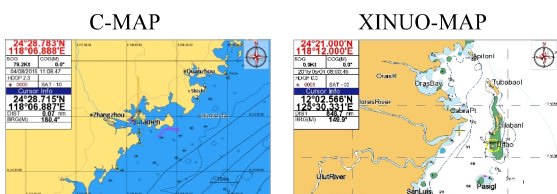


XF-1069B

Features

- ▶ XF-607B: 7" Color LCD with 800 x 480 resolution, high brightness and wide angle of view.
XF-1069B: 10.4" Color LCD with 800 x 600 resolution, high brightness and wide angle of view.
- ▶ C-MAP (MAX) & XINUO-MAP dual chart systems for user to choose.
- ▶ Fully support AIS function, such as CPA alarm, AIS vessel monitor, etc.
- ▶ Multi-language support and six display modes options.
- ▶ Built-in global chart , upgrade XINUO chart regularly.
- ▶ Floating GND power design, more stable and reliable.
- ▶ Conform to IP65 water-proof standard.

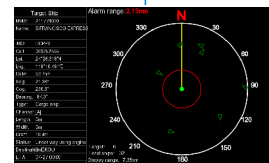
Six modes of display



Standard Chart View



Simple Chart View



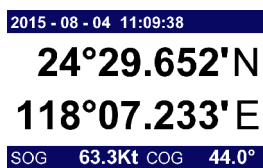
AIS Data



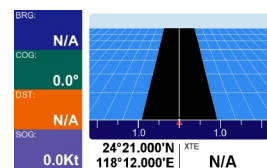
C-MAP (MAX)
Fully satisfy customers' requir of electronic chart.



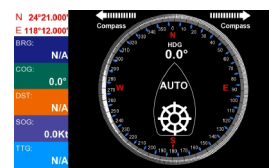
Update XINUO-MAP regularly.



GPS Data



3D Navigation



Compass

XF-607B/XF-1069B SPECIFICATIONS

Display unit	XF-607B	XF-1069B
Display Type	Color TFT LCD	
Display Size	7 inch	10.4 inch
Display Resolution	800 × 480pixels (WVGA)	800 × 600 pixels (SVGA)
Display Brightness	500cd/m ²	400 cd/m ²
Language	English, Simplified Chinese, Traditional Chinese, Vietnamese, Bahasa Malaysia, Turkish, Thai, Greek, Indonesian, Japanese, Korean, Arabic, Persian	
Display Modes	Standard Chart View, Simple Chart View, AIS Data, GPS Data, 3D Navigation, Compass	
Memory Capacity	10000 waypoints, 200 routes (100 points each route), 10000 marks, 200 boundary lines (40 points each line), 1000000 trackpoints	
Interface	GPS Output 1 Ports, AIS Output 2 Ports, HDT Input 1 Ports	
Chart	C-MAP (MAX) & XINUO MAP	
Power Supply	DC10V-36 V	

Enviromental	
Temperature	-15℃~+55℃
Waterproofing	IP65

AIS Receiver	
Frequency	156.025MHz ~ 162.025MHz
Bandwidth	25kHz
Modulation	GMSK / FM
Data Rate	9600 bps
Number of AIS transmitter	1
Number of AIS Receiver	2 (Contains A and B channels)
AIS Channel A	CH87B(161.975MHz)
AIS Channel B	CH88B(162.025MHz)
Output Power	2W
Rx Sensivity	< -107 dBm @ 20% PER

Standards	
IEC 62287-1 Ed. 2, 2010; IEC 61108-1 Ed. 1, 2003	
IEC 61162-1 Ed. 3, 2007; ITU-R M.1371-4, 2010	
IEC 60945 :2002 EMC related items	
ETSI EN 301 489-1V1.8.1 : 2008 EMC related items	
IEC 60950-1:2006	
ETSI EN 301 489-3 V1.4.1 : 2002 EMC related items	
IEC 60529:2006 EMC related items	
ETSI EN 300 440-2 V1.4.1:2010 Spurious related items	
ETSI EN 300 440-1 V1.6.1:2010 Spurious related items	

GPS Performance	
GPS Receiver	22 tracking channels/ 66 receiving channels Support WAAS/EGNOS/MSAS/GAGAN
Receive Frequency	L1 (1575.42 MHz)
Time to First Fix	Less than 39 seconds (Cold start)
Tracking Velocity	999 knots
Coordinate Systems	WGS-84 (and others)
Accuracy	GPS Position: < 15 meters, 95% typical Velocity: 0.1knot RMS steady state
	DGPS (USCG/RTCM) Position: 3~5 meters, 95% typical Velocity: 0.1 knot RMS steady state
	DGPS (WAAS) Position: <3 meters, 95% typical Velocity: 0.1 knot RMS steady state

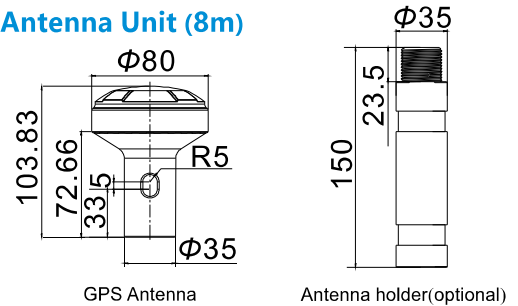
Packing List

Main Unit×1set	Power Cable ×1 pc
Mounting Bracket×1pc	GPS Antenna×1 pc
Knob ×2 pcs	User's Manual ×1 pc
Data Cable with 8 pins plug×1 pc	

Interface Definition

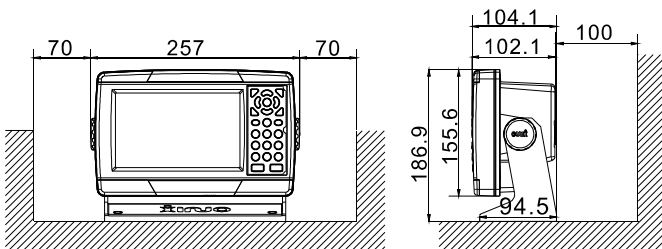


GPS Antenna Unit (8m)

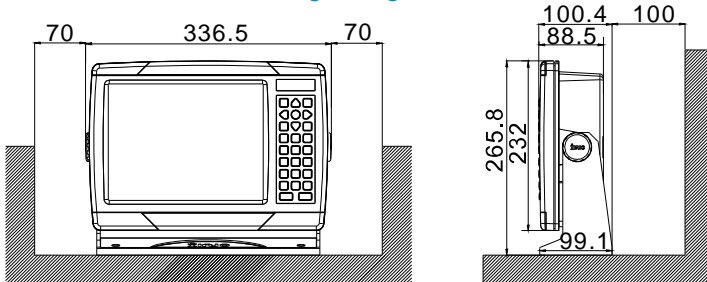


Main Unit

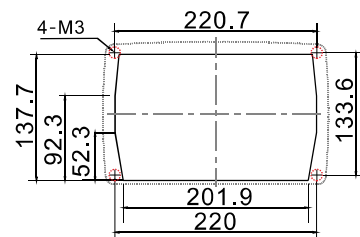
XF-607B: Counter Mounting (1.3kg / 2.86lb)



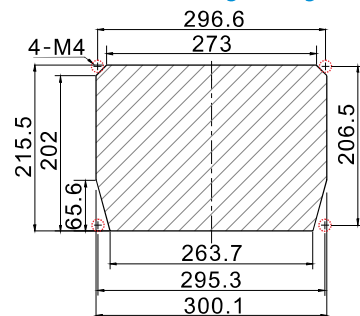
XF-1069B: Counter Mounting (2.3kg / 5.06lb)



XF-607B: Flush Mounting (1.1kg / 2.42lb)



XF-1069B: Flush Mounting (2.0kg / 4.4lb)



[Unit:mm]



Dealer:



WWW.XINUO.COM
1702 V1.0

Xinuo Information Technology (Xiamen) Corporation Limited