

AIS Class B & GNSS Chart Plotter

Model: XF-607B

Support Internal Chart & C-MAP (MAX) Card



Features

- ▶ Passed the EU CE certification.
- ▶ 7 inch color LCD with 800 x 480 resolution, high brightness, wide angle of view.
- ▶ Support Internal Chart and C-MAP(MAX) dual chart system.
- ▶ Classic & Utility dual operating system, you can switch freely.
- ▶ Built-in Class B AIS module, with perfect AIS function. It can timely respond to regulatory instructions.
- ▶ Intelligent CPA alarm calculation mechanism can avoid outdated and ineffective alarms.
- ▶ Support to making ships being in a group to manage, and can set multiple alarm, such as anchor alarm, leave out alarm, etc.
- ▶ Connect to mobile network to upgrade software online.
- ▶ Install in intelligent voice to broadcast operation content, alarm content, etc.
- ▶ Designed for counter mounting, flush mounting and other installation methods.

Internal Chart



C-MAP (MAX)



Multi Display Modes

Choose Your Favorite Operating Interface



Standard Chart View



Pure Chart View



Simple Chart View



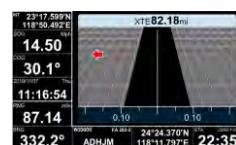
AIS Data



Sailing Data



GNSS



3D Navigation



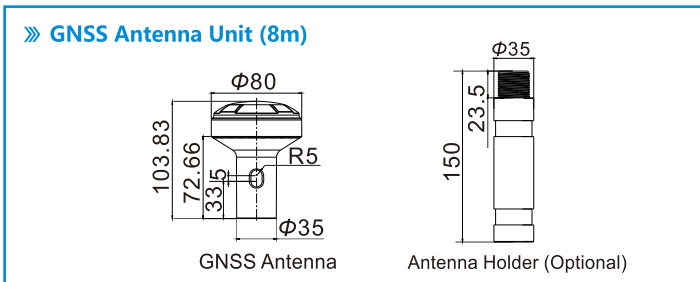
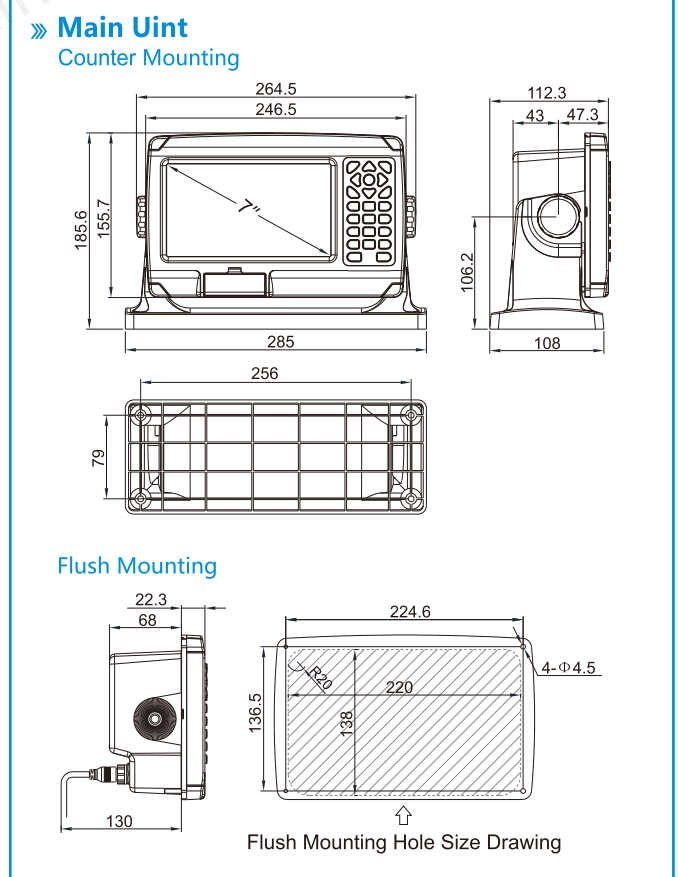
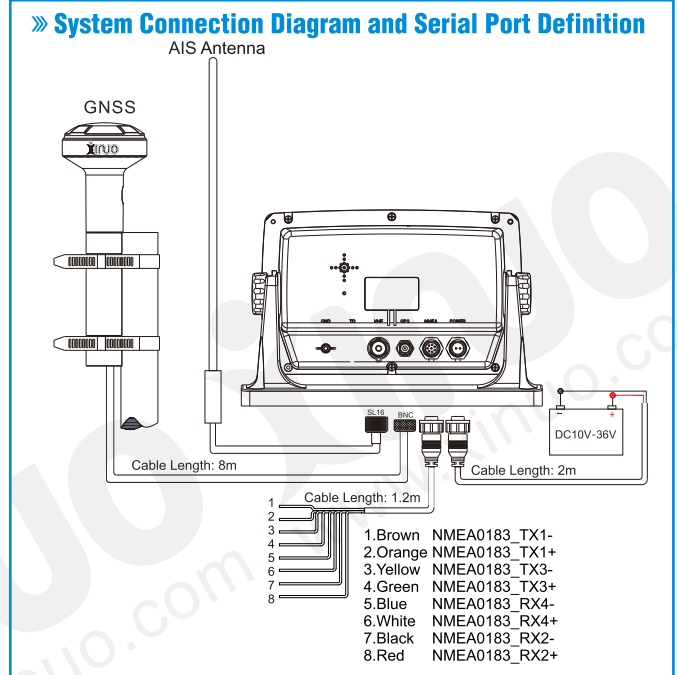
Compass

Specifications

[Unit: mm]

Display Unit	XF-607B
Display Type	Color TFT LCD
Display Size	7 inch
Display Resolution	800×480 pixels
Display Brightness	500cd/m ²
Language	Classic mode: English, Simplified Chinese, Traditional Chinese, Vietnamese
	Utility mode: English, Simplified Chinese, Traditional Chinese, Vietnamese, Malay, Korean, Turkish, Thai, Greek, Indonesian, Japanese, Myanmar, Arabic, Persian, Spanish, French
Display Modes	Classic mode: Standard Chart, GPS data, AIS data, Navigation Chart, Full Chart, 3D Navigation, 3D+Chart, Compass, GNSS
	Utility mode: Standard Chart, Pure Chart, Simple Chart, AIS Data, Sailing Data, GNSS, 3D Navigation, Compass
Memory Capacity	50,000 waypoints, 50,000 markers, 500 routes, one route can indicate 200 waypoints, 1000 tracks, 1,600,000 track points
Interface	AIS Output 1 Ports, NMEA 0183 Output 2 Ports, NMEA 0183 Input 3 Ports (Mutual independent, Baud rate can be set indenptly)
WiFi	802.11 b/g/n
Power Supply	DC10V~36V
Power Consumption	10W or less (24 VDC)
Enviromental	
Working Temperature	-15°C~ +55°C
Storage Temperature	-20°C~ +60°C
Waterproofing	IP65
AIS Class B	
Frequency	156.025MHz ~ 162.025MHz
Bandwidth	25kHz
Modulation	GMSK / FM
Data Rate	9,600 bps
Number of AIS transmitter	1
Number of AIS Receiver	2 (Contains A and B channels)
AIS Channel A(default)	CH87B(161.975MHz)
AIS Channel B(default)	CH88B(162.025MHz)
TX Power Output	2 W
RX Sensivity	< -107 dBm @ 20% PER
GNSS	
GNSS Receiver	72 channels
Receive Frequency	GPS L1 1575.42MHz, BDS B1 1561.098MHz
Accuracy	GPS&BDS 2.5m (CEP50% open sky)
	GPS 5m (CEP50% open sky)
	BDS 5m (CEP50% open sky)
Speed Accuracy	0.1m/s (50%@10m/s)
Time to First Fix	Cold Start<30s, Hot Start<1s
Standards	
IEC 62287-1, IEC 61108-1, IEC 61162-1, IEC 60945, ITU-R M.1371-5, IMO Resolution A.694(17)	

Packing List			
Name	Quantity	Name	Quantity
Display	1	Large Knob	2
Bracket	1	Rubber Gasket	4
Power Cable (2m)	1	3*20 Screw	2
Data Cable (1.2m)	1	4.8*20 Screw	4
GNSS Antenna(8m)	1	Quick Reference	1



Dealer: _____

